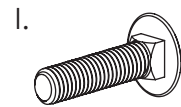


**Bracket to Chair Assembly**

Table Hardware/Components:

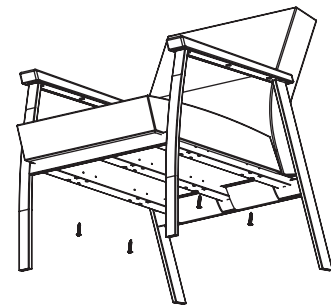


H. 5/16 Lock Nut



I. 5/16 1-1/2" Carriage Bolt

**Step 1.** (Seat Disassembly) Locate Screws that secure the seat to the frame (**Figure A**). Remove the screws from the seat/frame. Remove the seat from the frame (**Figure B**).

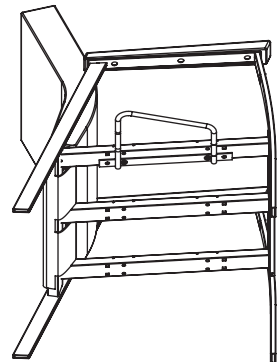


(Figure A)

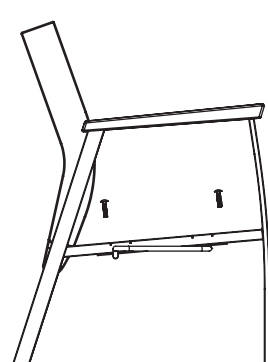


(Figure B)

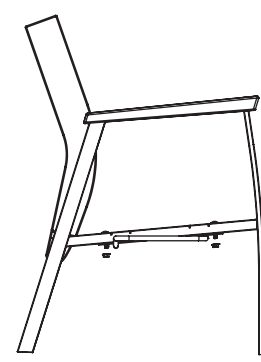
**Step 2.** (Table Support Assembly) Locate and align the Table Support with the bottom of the frame "Kinked" portion should be towards the rear/back portion of the chair (**Figure C**). while holding the support insert carriage bolts (**I.**) through the top of frame (**Figure D**). Use the (**H.**) lock nuts to secure table support to frame (**Figure E**).



(Figure C)

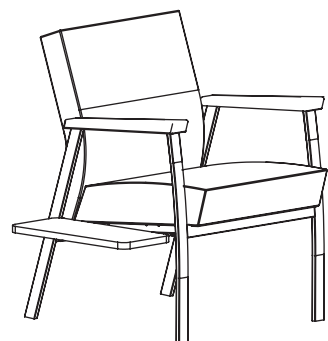


(Figure D)

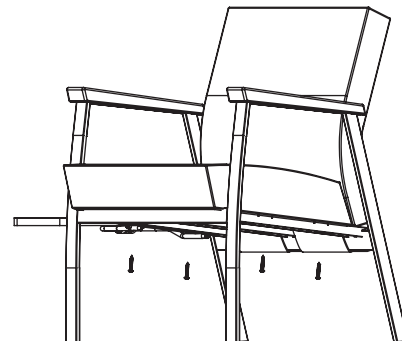


(Figure E)

**Step 4.** (Seat Assembly) Place the Seat on top of frame and align the mounting holes with the frame (**Figure I**). Use the seat screws to secure the seat to the frame (**Figure J**). Repeat Steps 1 through 4 for opposite side of connecting tables.



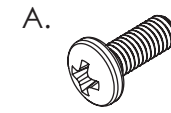
(Figure I)



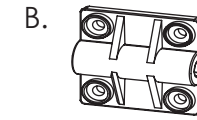
(Figure J)

**Suspension Table Assembly: Models 8192, 8194, 8195, 8196**

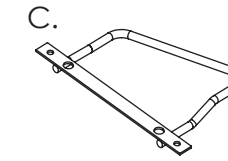
Table Hardware/Components:



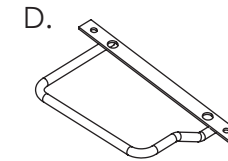
A. 1/4 x 20 5/8" Pan Head Screw  
4



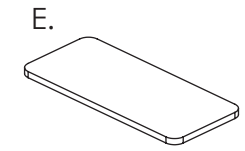
B. Plastic Table Connector  
2



C. Table Support Right  
1



D. Table Support Left  
1



E. Table  
1

Kinked Portion of Table Support Faces the rear of Chair

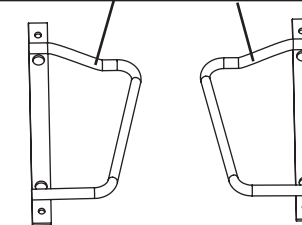
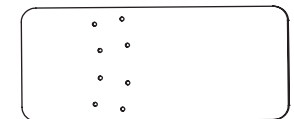
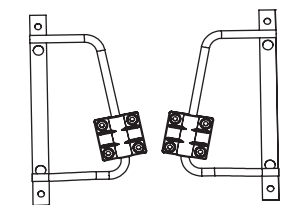


Figure 1.

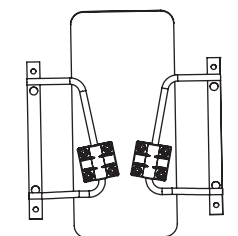
**Step 1.** Locate (E.) Table and face it down so that the mounting holes are facing upwards.



**Step 2.** Locate (B.) Plastic table connectors and snap them on each of (C.) and (D.) Table Supports Left and Right.



**Step 3.** Align the sub-assembled (B. C. D.) with the mounting holes of (E.) Table



**Step 4.** Use (A.) Pan Head Screw to Secure the Sub-Assembled (B. C. D.) to the (E.) Table.

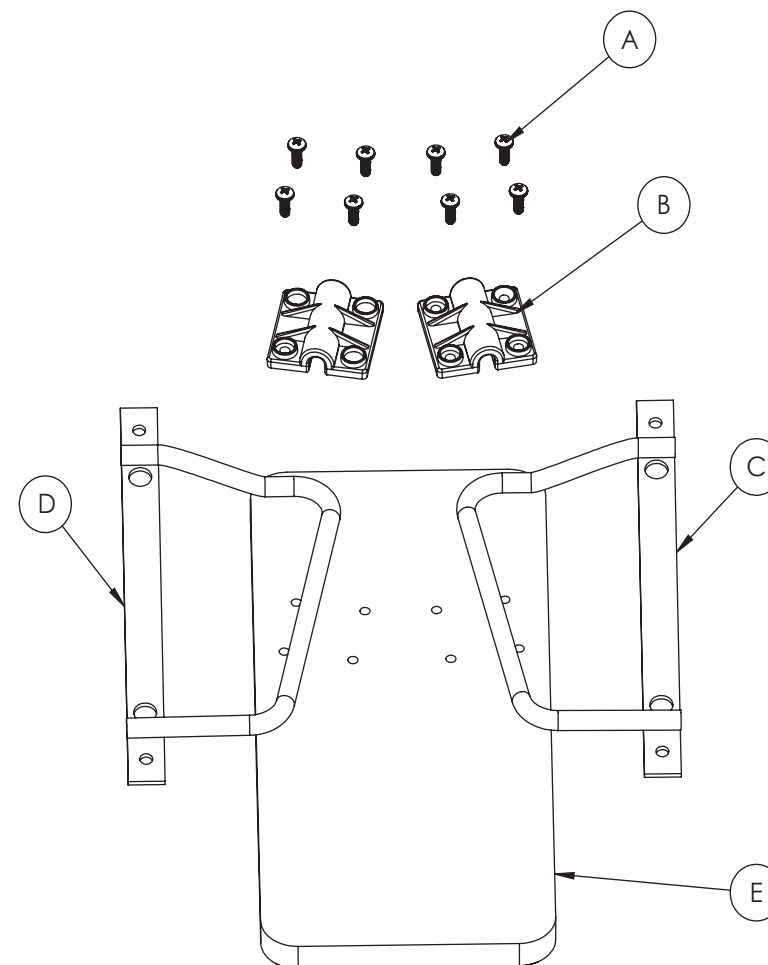
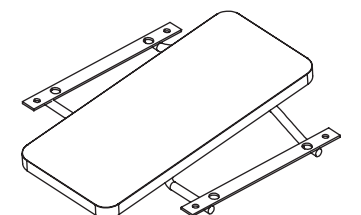
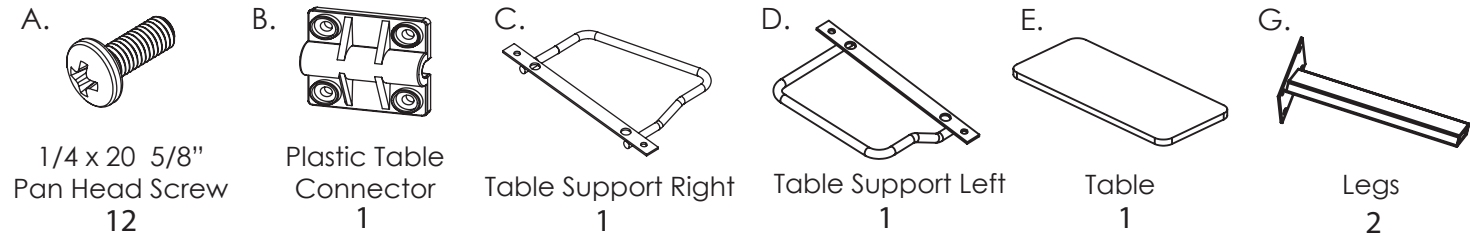


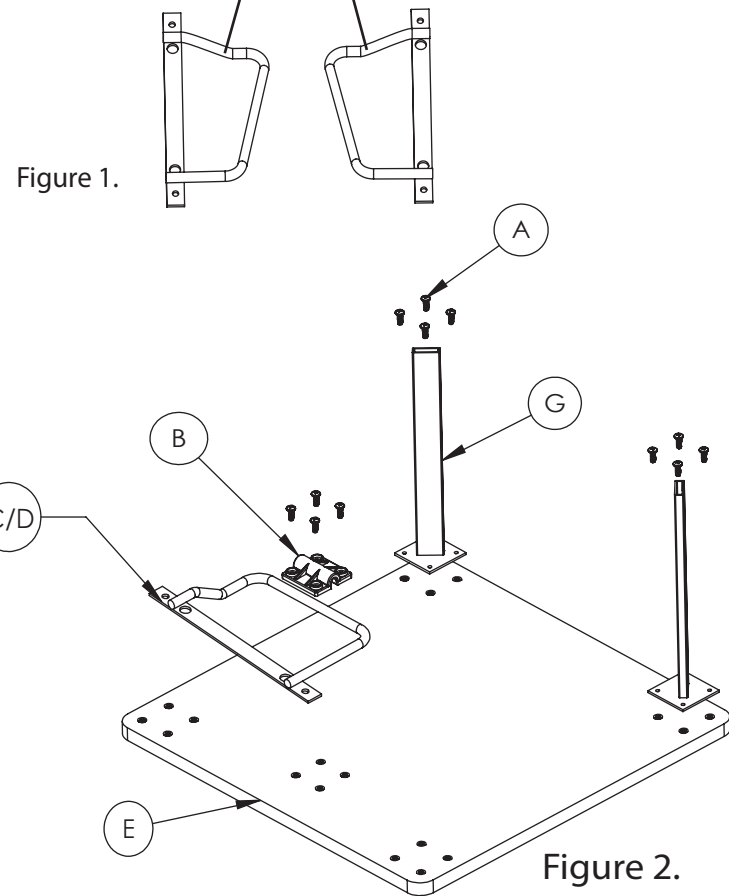
Figure 2.

## Connecting Table Assembly: Models 8191

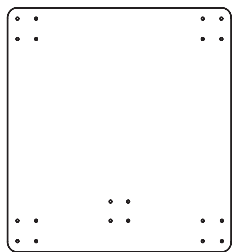
Table Hardware/Components:



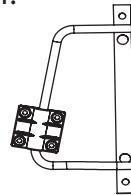
Kinked Portion of Table Support Faces the rear of Chair



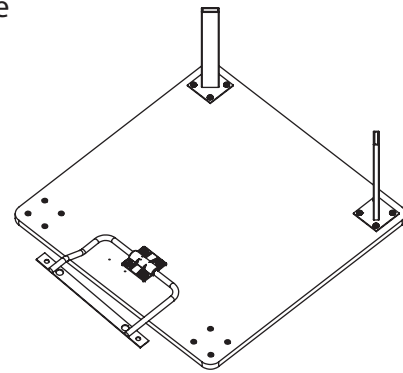
**Step 1.** Locate (E.) Table and face it down so that the mounting holes are facing upwards.



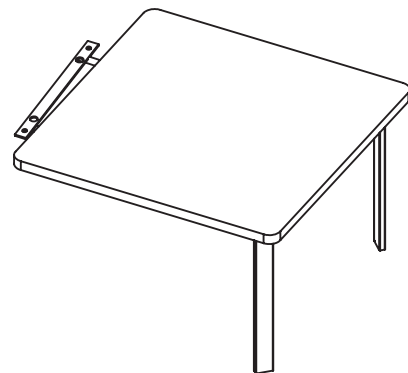
**Step 2.** Locate (B.) Plastic table connectors and snap on either of (C.) or (D.) Table Supports Left and Right. Depending on Left or Right hand side of Chair.



**Step 3.** Align the sub-assembled (B. C. D.) and (G.) Legs with the mounting holes of (E.) Table

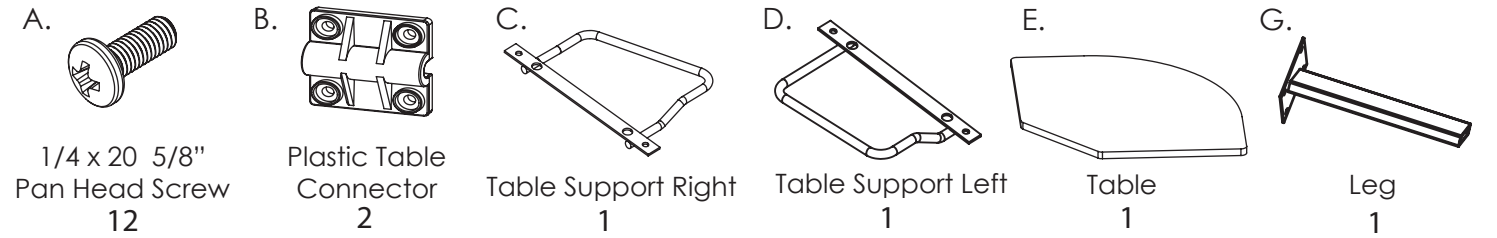


**Step 4.** Use (A.) Pan Head Screw to Secure the Sub-Assembled (B. C. D.) and (G.) Legs to the (E.) Table.

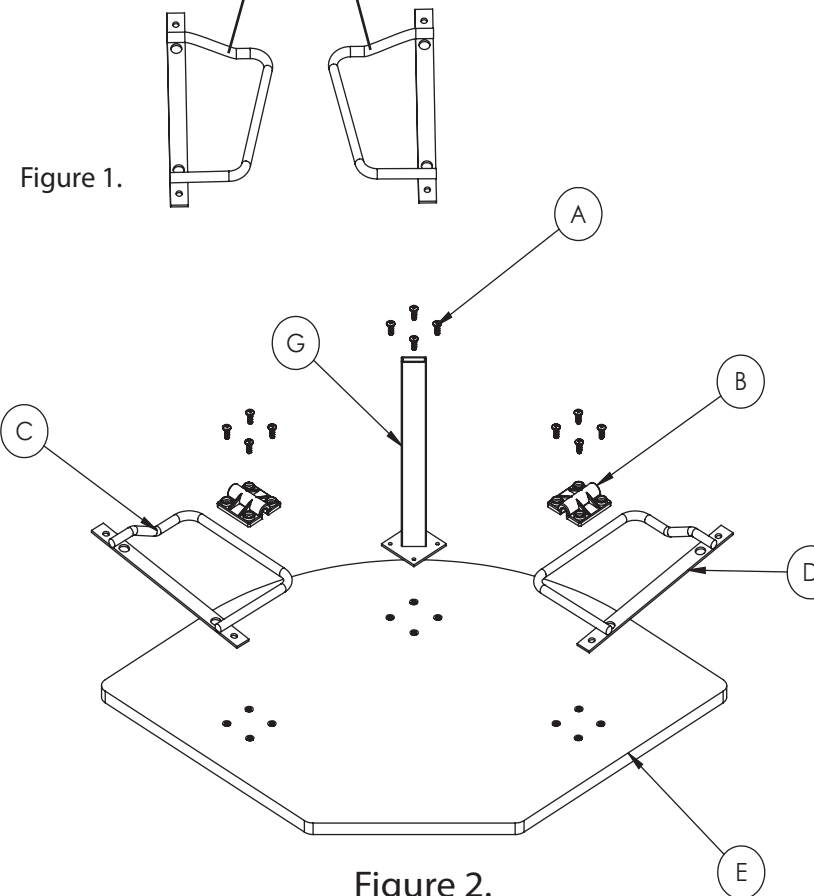


## Connecting Table Assembly: Models 8193

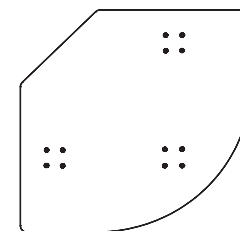
Table Hardware/Components:



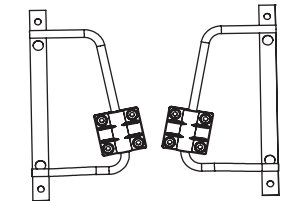
Kinked Portion of Table Support Faces the rear of Chair



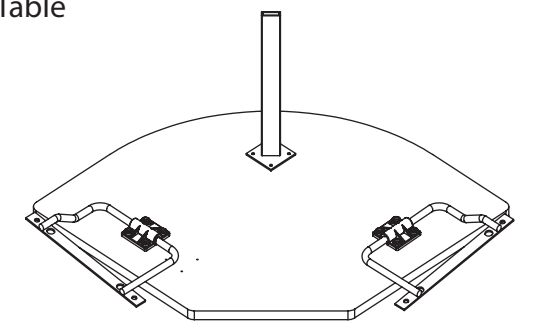
**Step 1.** Locate (E.) Table and face it down so that the mounting holes are facing upwards.



**Step 2.** Locate (B.) Plastic table connectors and snap them on each of (C.) and (D.) Table Supports Left and Right.



**Step 3.** Align the sub-assembled (B. C. D.) and (G.) Leg with the mounting holes of (E.) Table



**Step 4.** Use (A.) Pan Head Screw to Secure the Sub-Assembled (B. C. D.) and (G.) Legs to the (E.) Table.

